

## Reverse - PVD Copper

Built-in socket

Code: 8000 118



**Push socket-holder slot in Copper PVD stainless steel for built-in installation on work surfaces** - 2 Schuko socket -1 USB socket for charging



### DETAILS

Coloring Copper

Finish PVD

Material AISI 304 stainless steel

Texture Foster brushed

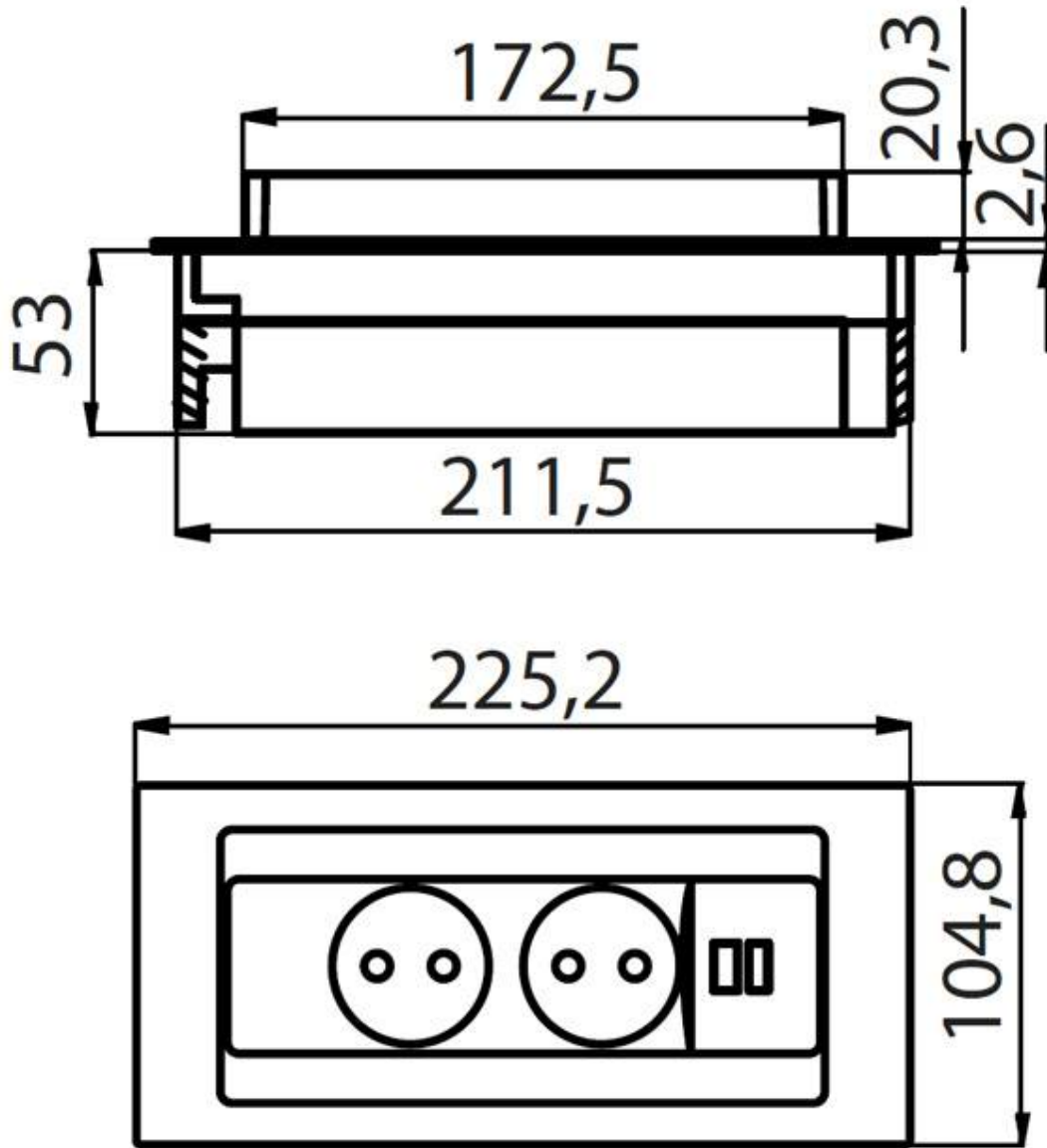
Built-in hole 215x88 mm

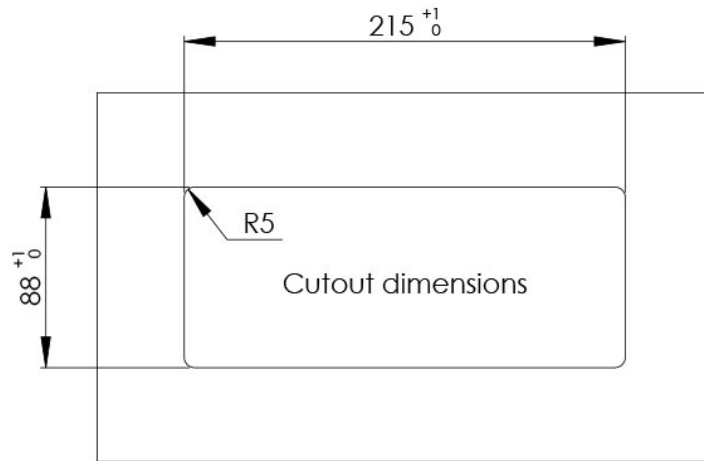
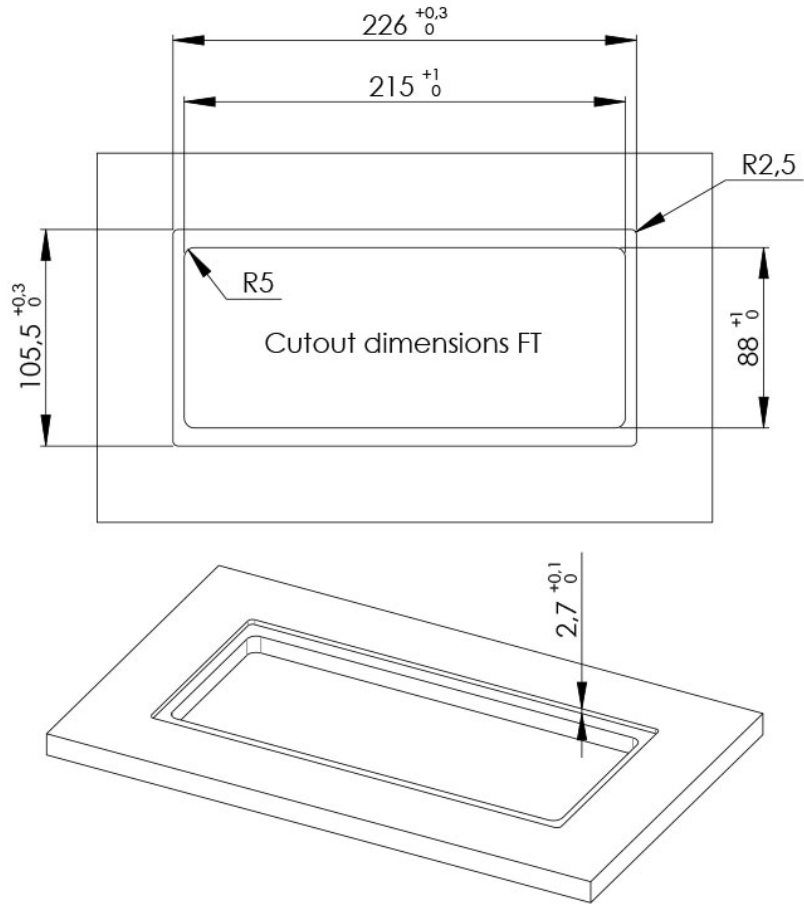
Notes: It's advisable to keep a distance of 40 cm from sinks or cooking hobs (protection index IP20)

### FEATURES

**Copper** The Copper finish is obtained by treating steel with a physical process called PVD (Physical Vacuum Deposition) which deposits particles of noble metals on the surface. The result is a unique and refined aesthetic effect, and an improvement of the mechanical properties of the steel which is more resistant to impact and scratches.

## TECHNICAL DATA





## GALLERY

